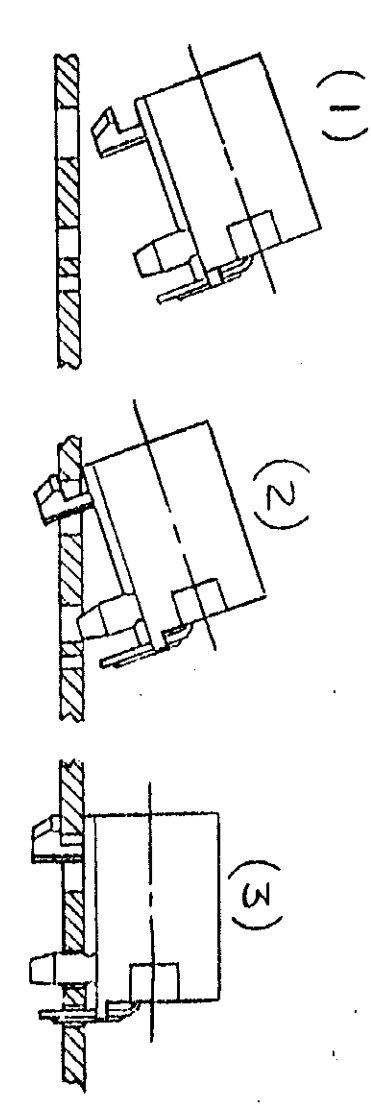
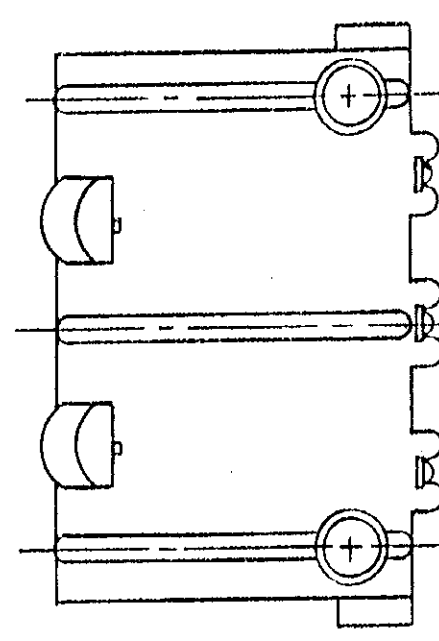
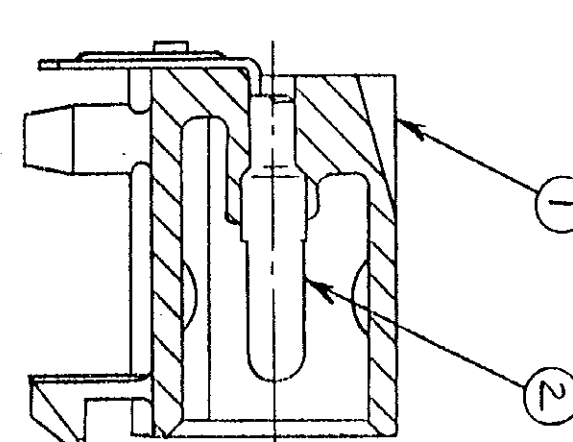
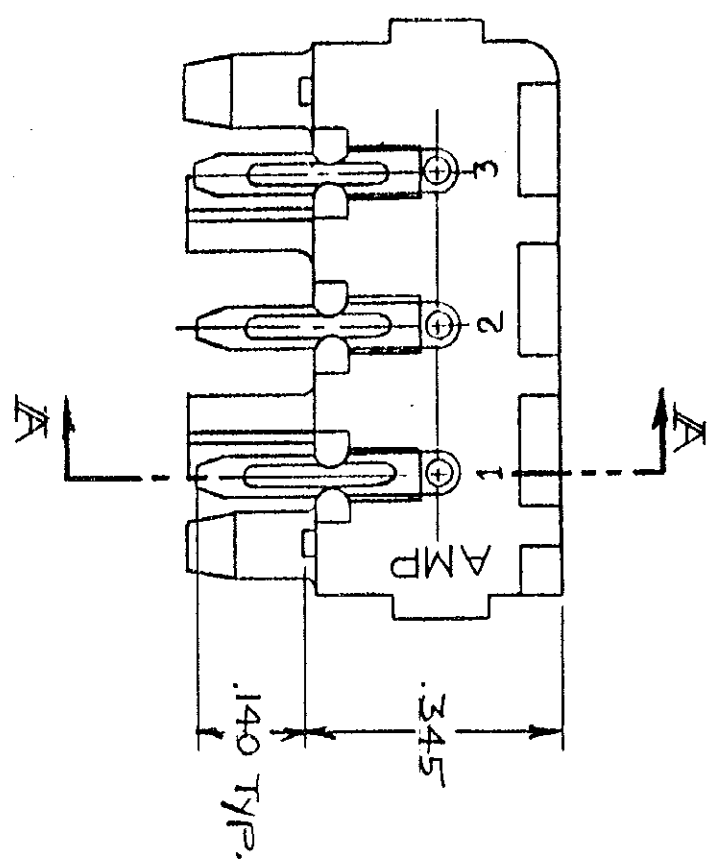
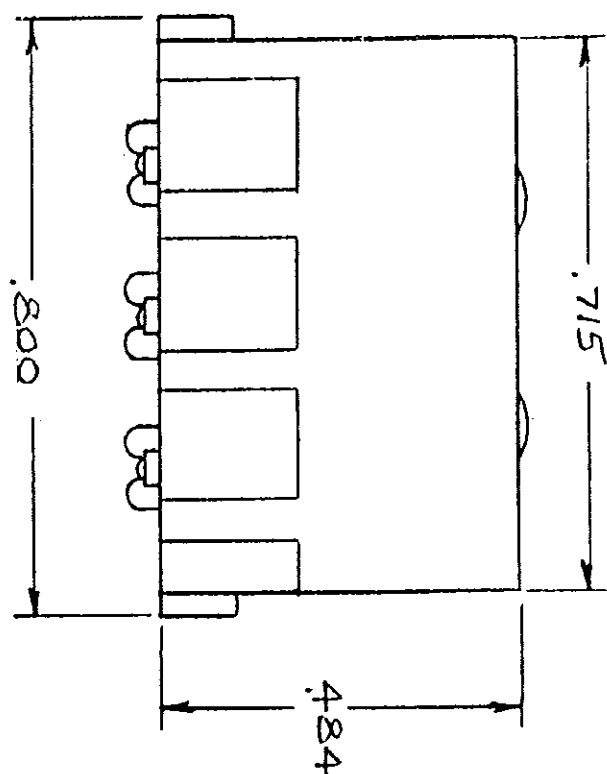
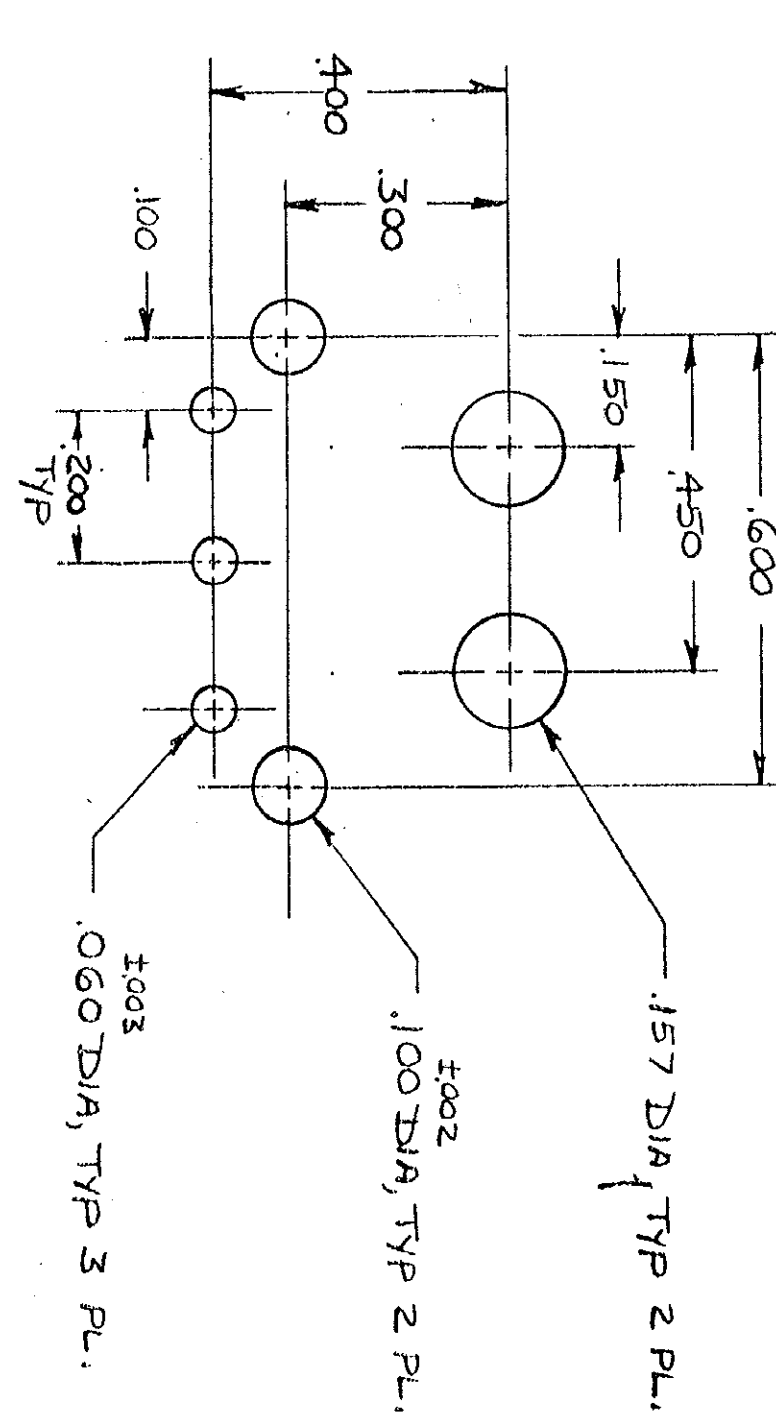


THIS DRAWING IS UNPUBLISHED. RELEASED FOR PUBLICATION .19
 © COPYRIGHT 19 AMP PRODUCTS MAY BE COVERED BY U.S. AND FOREIGN PATENTS AND/OR PATENTS PENDING.
 BY AMP INCORPORATED, HARRISBURG, PA. ALL INTERNATIONAL RIGHTS RESERVED.



1. PARTS COMPLY WITH AMP SOLDERABILITY SPEC. 109-11-3.
2. RECOMMEND EXPOSURE TO SOLDER WAVE (490°F) NOT TO EXCEED 5 SECONDS.



RECOMMENDED LAYOUT FOR .062 THICK P.C. BOARD
 TOL: ±.005

REVISIONS		DATE	APPROVED
P. F. ZONE	DESCRIPTION		
0	RELEASED NEW DRAWING, TT 83-44	7/1/83	mas/2H
A	CHANGED PICTORIALITY, M-7389	6/4/83	TJ/9m
A ₁	RESTORED	7/18/83	BD/RS

UNLESS OTHERWISE SPECIFIED DIMENSIONS ARE IN INCHES. TOLERANCES ON: DECIMALS ±.015 ANGLES		CONTRACT NO.		NAME	
MATERIAL		DR		AMP INCORPORATED	
SEE TABLE		D.A. SALTZER		Harrisburg, Pa. 17105	
FINISH		CHK		PC HEADER ASSEMBLY, RIGHT	
SEE TABLE		H. E. TRAVIS		ANGLE MOUNT, 3 CIRCUIT, COMMERCIAL	
OTHER APPD		APPD		MATE-N-LOK	
SCALE 4:1		SIZE		DRAWING NO.	
		C		00779	
				643488	
				SHEET	

NO. PER ASSY	DESCRIPTION	MATERIAL & FINISH	ITEM NO.	PART NO.
3	CONTACT	PH BRZ, PRE-TIN	2	643488-1
1	HOUSING	NYLON, 94V-0, NATURAL	1	

643488